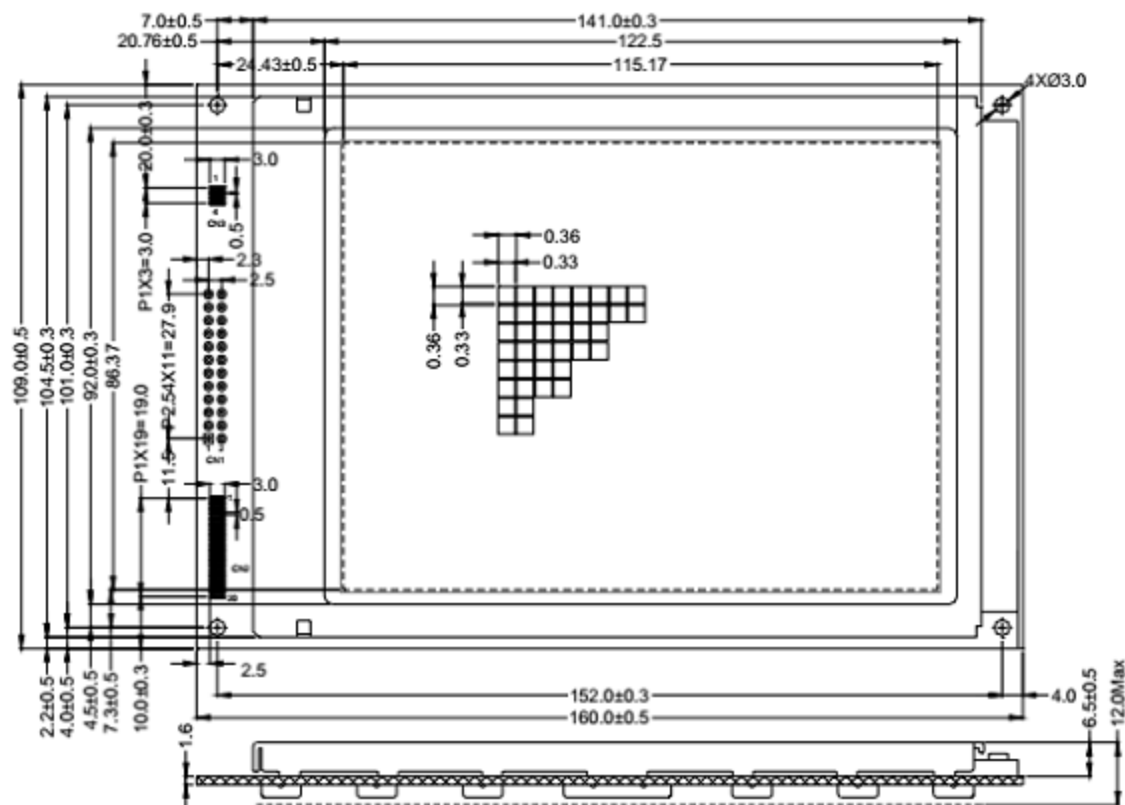


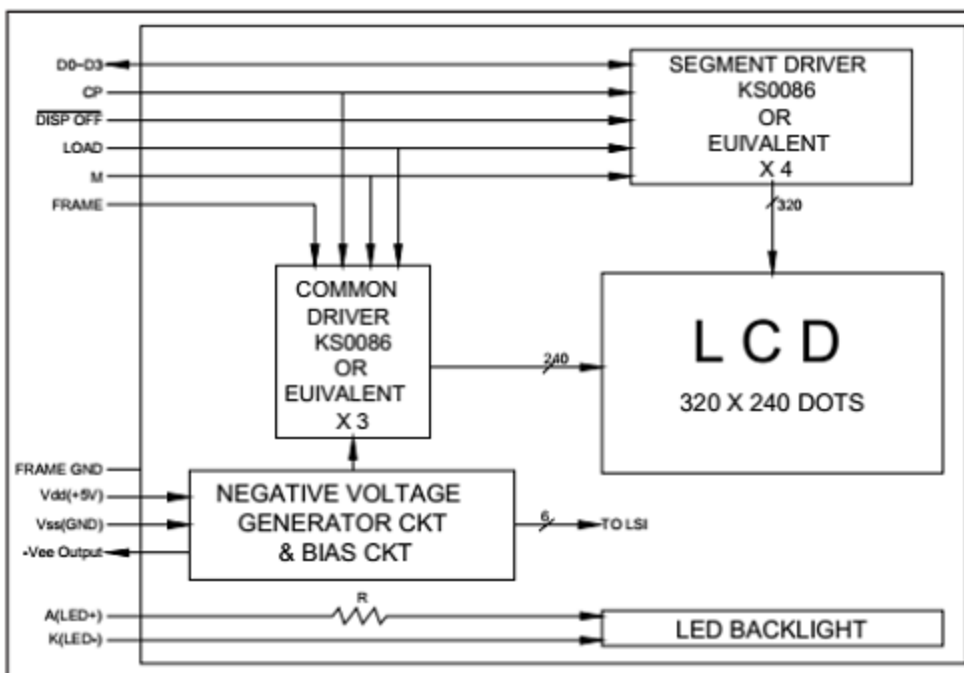
## LG322400 [320 x 240, 1/240 MUX]

DIMENSION IN MM



[ \* ] DIMENSIONS FOR LED BACKLIGHT VERSION

### BLOCK DIAGRAM



### PIN DETAILS

PIN No.	DESCRIPTION
	CN 1 & 2
1	D0
2	D1
3	D2
4	D3
5	DISP OFF
6	FLM
7	M
8	LOAD
9	CP
10	Vdd
11	Vss
12	-Vee O/P
13	V0
14	FRAME GND
15	A(LED+)
16	K(LED-)
17	T/P(Y2)
18	T/P(X2)
19	T/P(Y1)
20	T/P(X1)

### TABULATED DATA

MODEL	DISPLAY FORMAT DOT x DOT	DRIVING DUTY	DOT SIZE W x H	DOT PITCH W x H	VIEWING AREA W x H	PCB SIZE W x H
LG322400	320 x 240	1/240	0.33 x 0.33	0.36 x 0.36	122.5 x 92.0	160.0 x 109.0